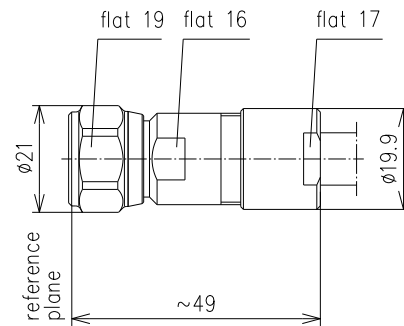


DATA SHEET

CABLE PLUG TYPE N



Part number	BN 94 50 60 / PLU010023				
Connector type	N plug				
Version	clamped				
Impedance	50 Ω				
Frequency range	0 - 0.5 GHz	0.5 - 1 GHz	1 - 2 GHz	2 - 4 GHz	4 - 11 GHz
VSWR	≤ 1.02	≤ 1.04	≤ 1.06	≤ 1.11	≤ 1.3
Material and surface					
Inner conductor	copper alloy		gold-plated		
Outer conductor	copper alloy		silver-plated		
Other metal parts	copper alloy		bright nickel-plated		
Insulation	PTFE				
Sealing	silicone rubber, EPDM				
Degree of protection	IP68 (mated)				
Cable compatibility	cable series RG 8 (cable group 0015)				
Standards	IEC 61169-16				
Installation instructions	M30704				
Weight	approx. 0.06 kg				
Included in delivery	installation instructions				