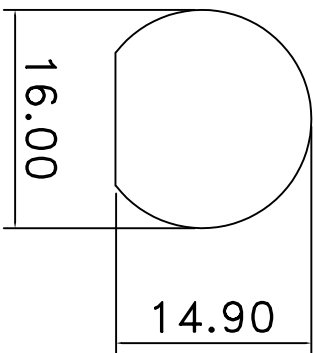
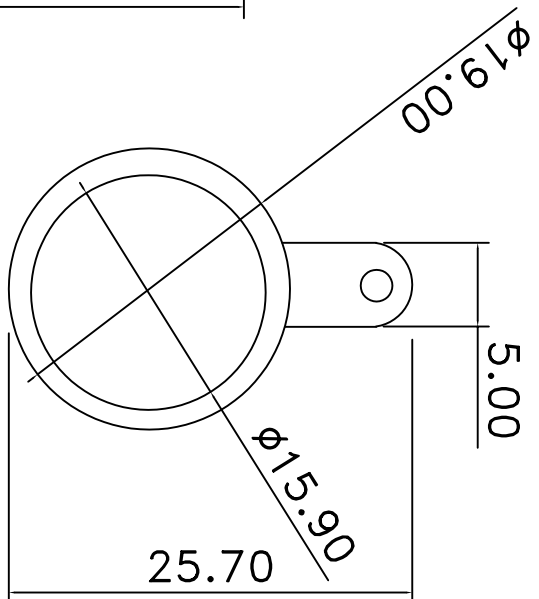
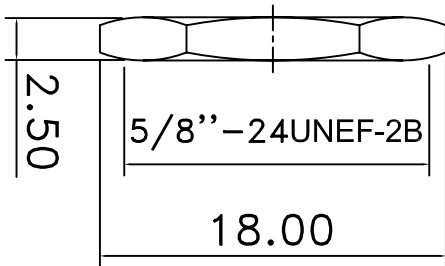
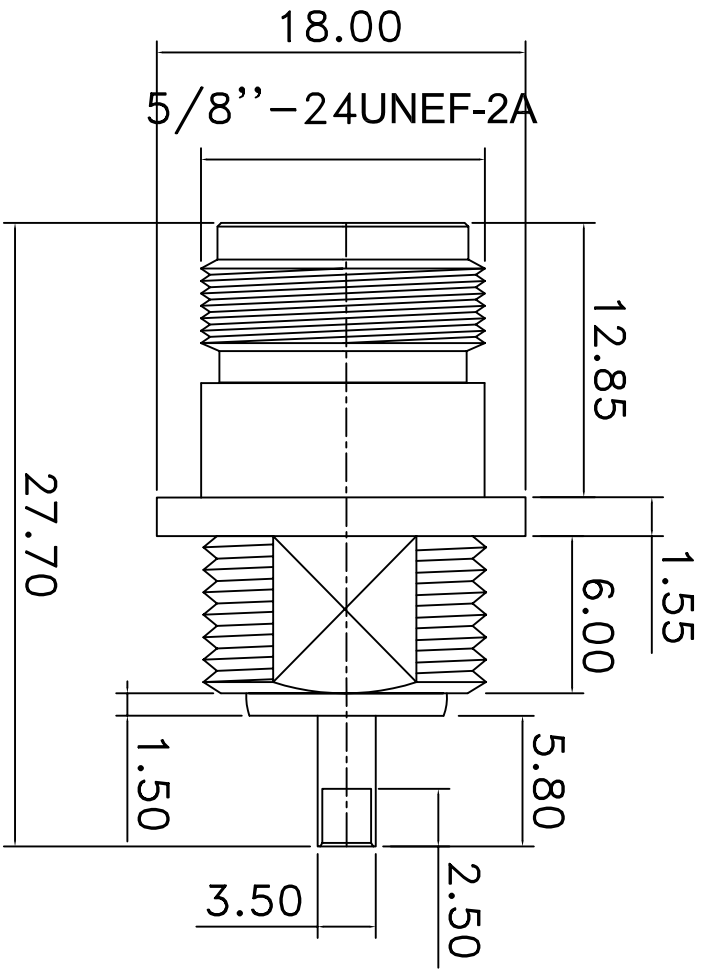


REV	DESCRIPTION	DRAWN	DATE



MOUNTING HOLES

NO	Description	Qty	Material	Finish
5	GROUND RING	1	STEEL	NICKEL
4	NUT	1	BRASS	NICKEL
3	INSULATOR	1	TEFLON	NONE
2	PIN	1	BRASS	GOLD
1	BODY	1	BRASS	NICKEL

UNLESS OTHERWISE SPECIFIED
 1.REMOVE ALL BURRS
 2.BREAK ALL CORNERS & EDGES CO.1.5 MAX.
 3.CHAMFER 1ST & LAST THREADS 45°.
 4.DIAMETERS ON COMMON CENTERS.
 TO BE CONCENTRIC WITHIN 0.1 PER 100.
 5.ALL DIMENSIONS ARE AFTER PLATING.

* MAJOR DIMENSION UNLESS OTHERWISE NOTED. TOLERANCES
 0.5-6 = ±0.2
 6-30 = ±0.4
 30-120 = ±0.6
 120-315 = ±1.0
 ANGLES = ±1°

SCALE	3/1	UNIT	MM	DRAWN DATE	01/04/02
CHECKED					
DRAWN					

APPROVED	TITLE	FILE NO.
	N JACK BULKHEAD SOLDER	
	DRAWING NO.	
	REV	A