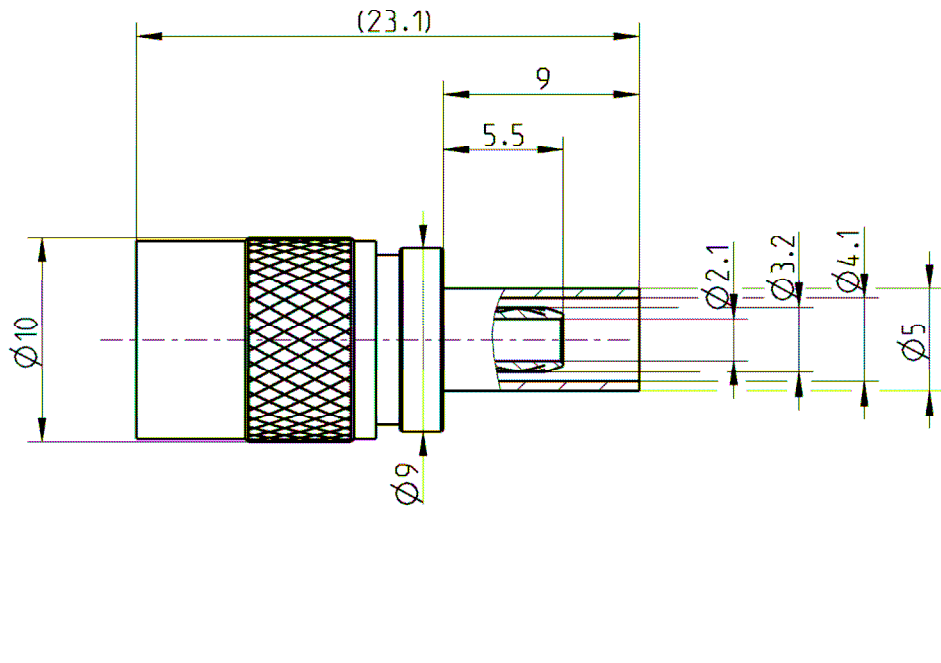


SMB (75Ω) STRAIGHT JACK
(BT 43) QUICK-LOCK

www.pewtronic.cz
PLU010016



All dimensions are in mm; tolerances according to ISO 2768 m-H

Interface

Similar to BT 43 (BS 9210 F0022)

Documents

Assembly instruction 759 D4

Material and plating

Connector parts	Material	Plating
Center contact	Beryllium copper	Gold, min. 1.27 μm over chemical nickel
Outer contact	Brass	Gold, min. 0.15 μm over chemical nickel
Body	Brass	Nickel, 2.5-5 μm
Dielectric	PTFE	
Crimping ferrule	Copper	Nickel, 2.5-5 μm

SMB (75Ω) STRAIGHT JACK
(BT 43) QUICK-LOCKwww.pewtronic.cz
PLU010016**Electrical data**

Impedance	75 Ω
Frequency	DC to 4 GHz
Return loss	≥ 30 dB, DC to 1.8 GHz ≥ 21 dB, 1.8 to 4 GHz
Insertion loss	≤ 0.1 x $\sqrt{f(\text{GHz})}$ dB, DC to 1.8 GHz
Insulation resistance	≥ 2x10 ³ MΩ
Center contact resistance	≤ 5 mΩ
Outer contact resistance	≤ 2.5 mΩ
Contact current	1 A DC max.
Test voltage	750 V rms
Working voltage	200 V rms
RF-leakage	≥ 70 dB up to 1 GHz

*- Limitations are possible due to the used cable type -***Mechanical data**

Mating cycles	≥ 500
Center contact captivation	≥ 10 N
Engaging and disengaging force	8 to 63 N

Environmental data

Temperature range	-40°C to +100°C
Climatic class	IEC 60068-2-1 40/100/21 IEC 60068-2-2 IEC 60068-2-3

Tooling

Crimping tool	11W150-000
Crimp insert	11W150-404

Suitable cables

BT 3002, TZC 75024, TZC 75025

Packing

Standard	100 pcs in box
Weight	5,9 g/pce

While the information has been carefully compiled to the best of our knowledge, nothing is intended as representation or warranty on our part and no statement herein shall be construed as recommendation to infringe existing patents. In the effort to improve our products, we reserve the right to make changes judged to be necessary.

Draft	Date	Approved	Date	Rev.	Engineering change number	Name	Date
A. König	03/01/06	F. Schmidhammer	13/02/06	a00	06-s050	R. Neuhauser	31/01/06
Rosenberger Hochfrequenztechnik GmbH & Co. KG P.O.Box 1260 D-84526 Tittmoning Germany www.rosenberger.de						Tel.: +49 8684 18-0 Fax: +49 8684 18-499 email: info@rosenberger.de	
						Page 2 / 2	