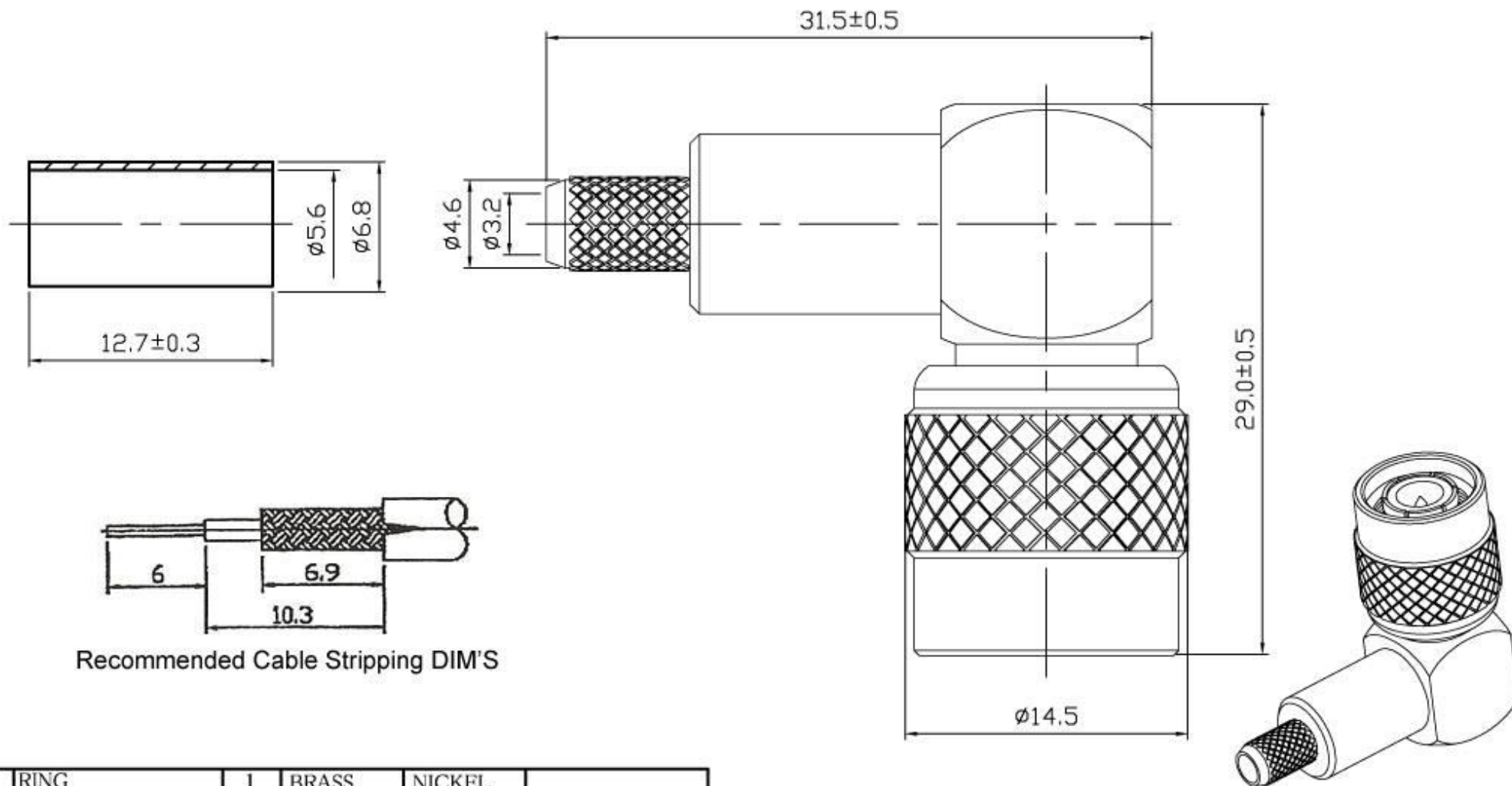


ROHS COMPLIANCE

www.pewtronic.cz **PLU010000**

DATE	DESCRIPTION	REV
12. 09. 07	NEW RELEASE	A



Recommended Cable Stripping DIM'S

9	RING	1	BRASS	NICKEL	
8	GASKET	1	PVC	RED	
7	WASHER	1	STEEL	NICKEL	
6	SPRING	1	SK-5	NICKEL	
5	WASHER	1	STEEL	NICKEL	
4	INSULATOR	1	POM	WHITE	
3	PIN	1	BRASS	GOLD	
2	BODY	1	BRASS	NICKEL	
1	SHELL	1	BRASS	NICKEL	
NO	Description	Q'ty	Material	Finish	Part Number

UNLESS OTHERWISE SPECIFIED
 1. REMOVE ALL BURRS.
 2. BREAK ALL CONNERS & EDGES CO. 15 MAX.
 3. CHAMFER 1ST & LAST THREADS 45°.
 4. DIAMETERS ON COMMON CENTERS.
 TO BE CONCENTRIC WITHIN 0.01 T. I. R.
 5. ALL DIMENSIONS ARE AFTER PLATING.

MAJOR DIMENSIONS
 UNLESS OTHERWISE NOTED TOLERANCES
 0.5-6±0.2
 6-30±0.4
 30-120±0.6
 ANGLES±5°

APPROVED BY
 CHECKED BY
 DRAWING BY *Sheng*
 DATE 2012/09/07

DRAWING NO **PLU010000**
 TITLE **TNC MALE CRIMP FOR RG/58U** REV. **A**

DO NOT SCALE DRAWING