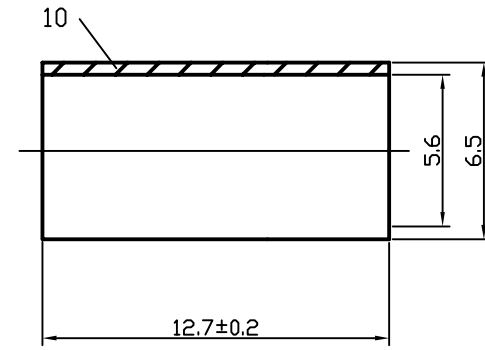
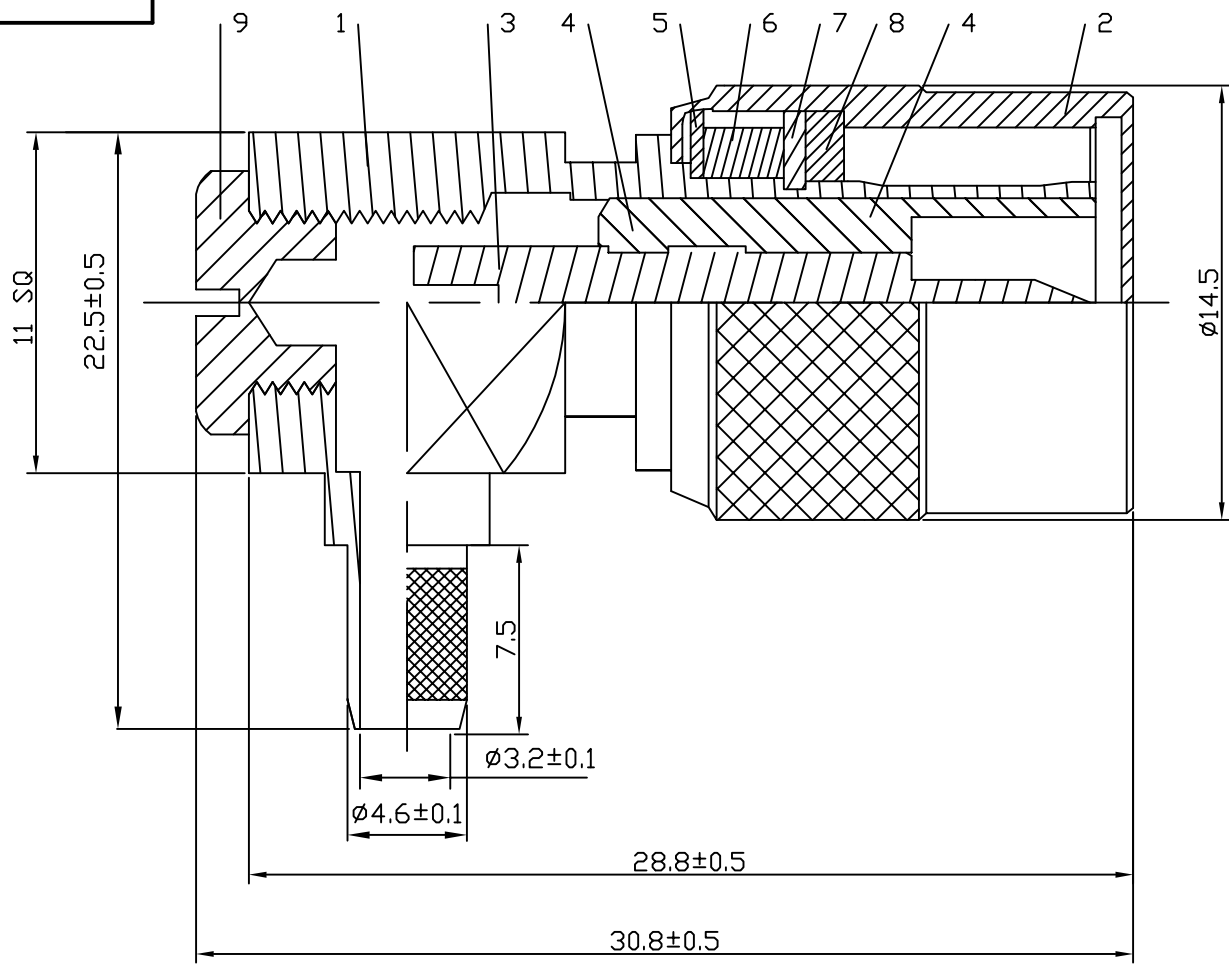


ROHS COMPLIANCE

DATE	DESCRIPTION	REV
09.04.29	NEW RELEASE	A



10	RING	1	BRASS	NICKEL	
9	SCREW NUT	1	BRASS	NICKEL	
8	GASKET	1	PVC	RED	
7	WASHER	1	STEEL	NICKEL	
6	WASHER	1	BRASS	NICKEL	
5	WASHER	1	STEEL	NICKEL	
4	INSULATOR	1	DELIN	WHITE	
3	PIN	1	BRASS	GOLD	
2	SHEEL	1	BRASS	NICKEL	
1	BODY	1	BRASS	NICKEL	
NO	Description	Q'ty	Material	Finish	Part Number

UNLESS OTHERWISE SPECIFIED 1. REMOVE ALL BURRS. 2. BREAK ALL CONNERS & EDGES CO.15 MAX. 3. CHAMFER 1ST & LAST THREADS 45°. 4. DIAMETERS ON COMMON CENTERS. TO BE CONCENTRIC WITHIN 0.01 T.I.R. 5. ALL DIMENSIONS ARE AFTER PLATING.	MAJOR DIMENSIONS	APPROVED BY	DRAWING NO		
	UNLESS OTHERWISE NOTED TOLERANCES	CHECKED BY	M57713LX	PLU010000	
	0.5-6=±0.2 6-30=±0.4 30-120=±0.6 ANGLES=±5°	DRAWING BY	TITLE		
	SCALE 4/1 UNIT MM	DATE 2010/03/22	TNC MALE R/A CRIMP FOR RG58/U		
			SHALLIN ELECTRONICS CO., LTD.		
			REV.	A	

DO NOT SCALE DRAWING